

# 400S / 460SJ

## MID-SIZE TELESCOPIC BOOM LIFTS



- Mid-size diesel telescopic boom lifts
- Available with and without a jib boom
- 4-wheel drive for excellent rough terrain performance
- Ideal for construction and industrial applications
- Dual envelopes for maximum lift capacities

 **snorkel**<sup>™</sup>  
[www.snorkellifts.com](http://www.snorkellifts.com)

# MID-SIZE TELESCOPIC BOOM LIFTS

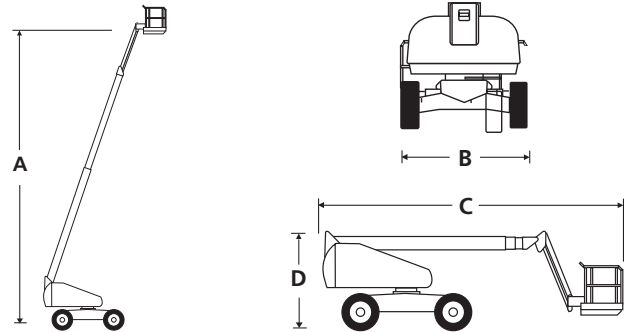
# 400S / 460SJ

| DIMENSIONS               | 400S        | 460SJ       |
|--------------------------|-------------|-------------|
| Max. working height      | 46 ft 2 in  | 52 ft 1 in  |
| Max. platform height (A) | 40 ft 2 in  | 46 ft 1 in  |
| Max. horizontal reach    | 34 ft 9 in  | 42 ft       |
| Platform size            | 8 ft x 3 ft | 8 ft x 3 ft |
| Overall width (B)        | 7 ft 7 in   | 7 ft 7 in   |
| Transport width          | 6 ft 10 in  | 6 ft 10 in  |
| Transport height         | 7 ft 10 in  | 9 ft 7 in   |
| Transport length         | 24 ft 10 in | 22 ft 4 in  |
| Stowed length (C)        | 24 ft 10 in | 28 ft 5 in  |
| Stowed height (D)        | 7 ft 10 in  | 7 ft 10 in  |
| Ground clearance         | 12.5 in     | 12.5 in     |

| PERFORMANCE                          | 400S                        | 460SJ           |
|--------------------------------------|-----------------------------|-----------------|
| Platform capacity (SWL) unrestricted | 600 lbs                     | 600 lbs         |
| Platform capacity (SWL) restricted   | 1,000 lbs                   | 1,000 lbs       |
| Max. wind speed                      | 28 mph                      | 28 mph          |
| Max. drive height                    | 40 ft 2 in                  | 46 ft 1 in      |
| Max. drive speed (stowed)            | 4.25 mph                    | 4.25 mph        |
| Max. drive speed (elevated)          | 0.6 mph                     | 0.6 mph         |
| Jib length                           | n/a                         | 5 ft 6 in       |
| Jib working arc                      | n/a                         | 135°            |
| Platform rotation                    | 150°                        | 150°            |
| Superstructure rotation              | 360° continuous             | 360° continuous |
| Tailswing                            | 35.5 in                     | 35.5 in         |
| Raise/lower time                     | 64/64 sec                   | 64/64 sec       |
| Gradeability                         | 50%                         | 50%             |
| Inside turning radius                | 9 ft 10 in                  | 9 ft 10 in      |
| Outside turning radius               | 16 ft 7 in                  | 16 ft 7 in      |
| Tires                                | 355/55 D625 foam filled lug |                 |
| Controls                             | All proportional controls   |                 |
| Drive system                         | 4-wheel drive               |                 |

| POWER                | 400S                                       | 460SJ |
|----------------------|--|-------|
| Power source         | Kubota 24.9hp (18.6kW) diesel Tier 4 Final |       |
| Auxiliary power unit | 12V DC                                     |       |

| WEIGHT | 400S       | 460SJ      |
|--------|------------|------------|
| Weight | 15,730 lbs | 17,260 lbs |



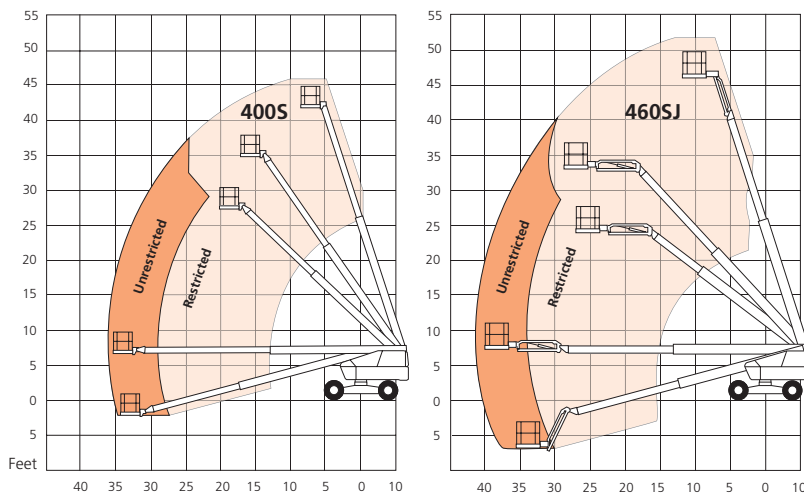
## STANDARD FEATURES

- Snorkel Guard™ secondary guarding system
- 5ft 6 in 135° jib (460SJ only)
- Hydraulic platform rotation
- Hydraulic oil cooler
- 4-wheel drive
- All proportional controls
- Oscillating axle
- Swing-out engine tray
- Power line to platform
- Platform overload system
- 5° tilt alarm & cut-out
- Hour meter & on-board diagnostics display
- Flashing amber light
- DC emergency operation
- Tri-entry platform
- 2 year parts & labor, 5 year structural warranty
- ANSI compliant

## OPTIONS

- Special paint colors
- AC generator 110V / 2.5kW
- Non-marking tires
- Air-filled flotation tires
- Dual fuel (LP/gas)
- Airline to platform
- Aircraft package
- Deluxe aircraft package
- Cold weather package
- Extreme cold weather package
- Extreme environment package
- Light package
- Tow kit
- Glazier package
- 7.5kW generator package
- Environmental hydraulic oil
- Tool tray
- Pipe rack

## WORKING ENVELOPES



www.snorkellifts.com

P.O. Box 1160  
 St. Joseph, MO 64502-1160, USA  
 Tel: 1 (785) 989-3000  
 Toll-Free: 1 (800) 255-0317  
 Sales Fax: 1 (785) 989-3070  
 Parts Fax: 1 (785) 989-3077