

TB80/TB86J

LARGE TELESCOPIC BOOM LIFTS



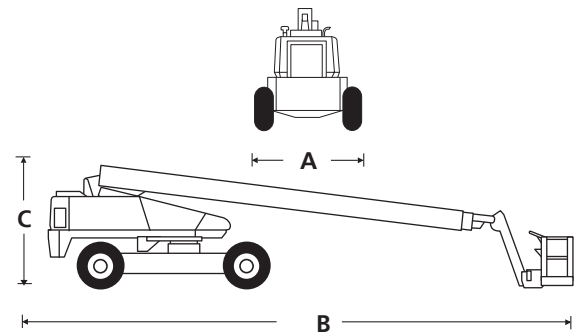
- Robust diesel telescopic boom lifts
- Available with and without a jib boom
- Powerful 4-wheel drive and 4-wheel steer
- Excellent rough terrain performance
- Designed for construction applications

 **snorkel**[™]
www.snorkellifts.com

LARGE TELESCOPIC BOOM LIFTS

TB80/TB86J

DIMENSIONS	TB80	TB86J
Max. working height	26.4m	28.2m
Max. platform height	24.4m	26.2m
Max. working outreach	21.7m	23.9m
Platform size	0.91m x 2.44m	0.91m x 2.44m
Overall width (A)	2.6m	2.6m
Overall length (B)	11.8m	12.9m
Stowed height (C)	2.9m	2.9m
Ground clearance	330mm	330mm

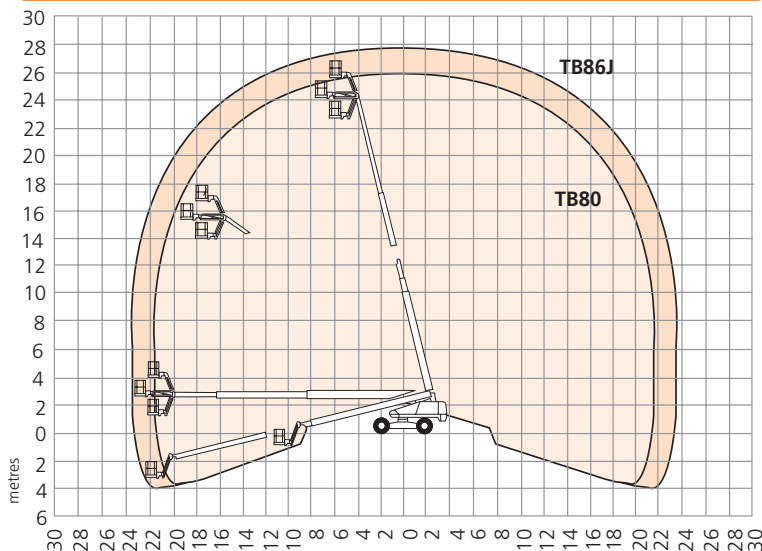


PERFORMANCE	TB80	TB86J
Platform capacity	227kg	227kg
Max. drive height	24.4m	26.2m
Max. wind speed	12.5m/s	12.5m/s
Max. drive speed (stowed)	4.8km/h	4.8km/h
Max. drive speed (elevated)	1.0km/h	1.0km/h
Jib length	n/a	2.0m
Jib arc	n/a	135° (+70°/-65°)
Platform rotation	170°	150°
Turret rotation (continuous)	360°	360°
Tailswing	1.9m	1.9m
Raise/lower time	70/65 sec	70/65 sec
Gradeability	40%	40%
Inside turning radius	2.4m	2.4m
Outside turning radius	4.7m	4.7m
Tires	15 x 625 foam filled lug	
Controls	proportional joystick	
Drive system	4-wheel drive	

POWER	TB80	TB86J
Power source	Kubota V2403 48kW/65hp diesel - Tier 4 Final	

WEIGHT	TB80	TB86J
Weight	16,480kg	17,549kg

WORKING ENVELOPE



STANDARD FEATURES

- Snorkel Guard™ secondary guarding system
- 4-wheel drive, steer & crab steer
- Hydraulic platform rotation
- 360° continuous turntable rotation
- Drive motion alarm
- Flashing amber light
- Foam filled tires
- Proportional drive, boom lift, swing & extend
- Rheostat control for jib & platform level
- Power line to platform
- Tri-entry platform
- Dual lanyard attachment points
- Horn
- Hour meter & on-board diagnostics display
- 3.5° tilt alarm
- 2 year parts & labor, 5 year structural warranty
- ANSI compliant

OPTIONS

- Special paint colors
- Airline to platform
- Non-marking tires
- AC generator 110V/2.5kW
- Cold weather package
- Extreme cold weather package
- Extreme environment package
- Light package
- Tow kit
- Glazier package
- Utility package
- 12kW generator package
- 12kW generator/welder package
- Environmental hydraulic oil
- Pipe rack
- Personal fall arrest system
- Tool tray

snorkel www.snorkellifts.com

P.O. Box 1160
 St. Joseph, MO 64502-1160, USA
 Tel: 1 (785) 989-3000
 Toll-free: 1 (800) 255-0317
 Fax: 1 (785) 989-3070
 Email: sales.usa@snorkellifts.com