

# TB 120/TB 126J

## LARGE TELESCOPIC BOOM LIFTS



- Reliable and robust diesel telescopic boom lifts
- Available with and without a jib boom
- Powerful 4-wheel drive
- Simple to operate and maintain
- Ideal for construction applications

 **snorkel**<sup>™</sup>  
[www.snorkellifts.com](http://www.snorkellifts.com)

# LARGE TELESCOPIC BOOM LIFTS

# TB120/TB126J

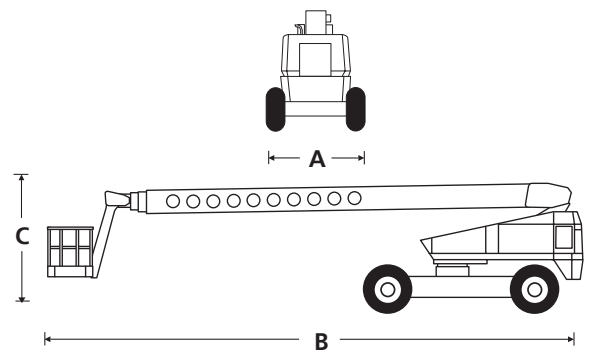
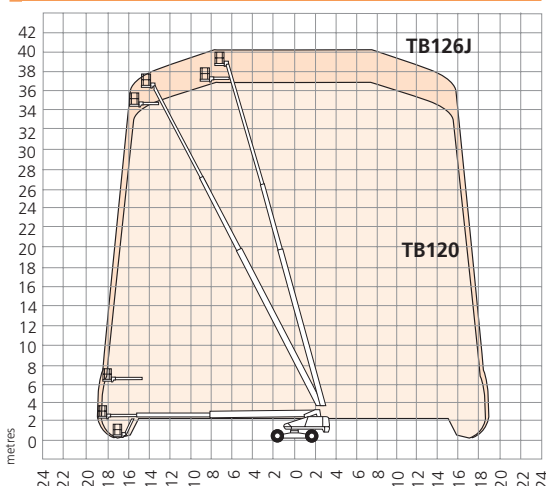
DIMENSIONS	TB120	TB126J
Max. working height	38.6m	40.4m
Max. platform height	36.6m	38.4m
Max. working outreach	18.9m	19.2m
Platform size	2.44m x 0.91m	2.44m x 0.91m
Overall width (A)	2.6m	2.6m
Operational width (extended)	3.9m	3.9m
Stowed length (B)	12.9m	13.6m
Stowed height (C)	3.0m	3.2m
Ground clearance	330mm	330mm

PERFORMANCE	TB120	TB126J
Platform capacity (SWL)	227kg	227kg
Max. drive height	36.6m	38.4m
Max. wind speed	12.5m/s	12.5m/s
Max. drive speed (stowed)	4.6km/h	4.6km/h
Max. drive speed (elevated)	0.24km/h	0.24km/h
Jib length	n/a	2.0m
Jib arc	n/a	135° (+70°/-65°)
Platform rotation	150°	180°
Turret rotation (continuous)	360°	360°
Tailswing (axles retracted)	2.04m	2.04m
Tailswing (axles extended)	1.38m	1.38m
Raise/lower time	208/215 sec	208/215 sec
Gradeability	30%	30%
Inside turning radius (axles retracted)	5.8m	5.8m
Outside turning radius	10.1m	10.1m
Tires	445-65 D22.5 foam filled lug	
Controls	proportional joystick	
Drive system	4-wheel drive	

POWER	TB120	TB126J
Power source	Kubota V2403 48kW/65hp diesel - Tier 4 Final	

WEIGHT	TB120	TB126J
Weight	17,917kg	19,000kg

## WORKING ENVELOPE



## STANDARD FEATURES

- Snorkel Guard™ secondary guarding system
- 2.0m 135° jib (TB126J only)
- 4-wheel drive, braking & fixed front steering
- Hydraulic platform rotation
- 360° continuous turntable rotation
- Hydraulic extended rear axles w/ boom interlocks
- Built-in jack for raising chassis
- Flashing amber light
- Proportional drive lift, swing, extend & jib (if equipped)
- Foam filled lug tires
- Power line to platform
- Dual lanyard attachment points
- 3.5° tilt alarm & cut out
- 2 year parts & labor, 5 year structural warranty
- ANSI compliant

## OPTIONS

- Special paint colors
- Airline to platform
- AC generator 110V/2.5kW
- Cold weather package
- Extreme cold weather package
- Extreme environment package
- Light package
- Tow kit
- Glazier package
- Utility package
- 12kW generator package
- 12kW generator/welder package
- Environmental hydraulic oil
- Tool tray
- Non-marking tires
- Personal fall arrest system

**snorkel** [www.snorkellifts.com](http://www.snorkellifts.com)

P.O. Box 1160  
 St. Joseph, MO 64502-1160, USA  
 Tel: 1 (785) 989-3000  
 Toll-free: 1 (800) 255-0317  
 Fax: 1 (785) 989-3070  
 Email: sales.usa@snorkellifts.com