

TB120/TB126J

LARGE TELESCOPIC BOOM LIFTS



- Reliable & robust diesel telescopic boom lifts
- Available with and without a jib boom
- Powerful 4-wheel drive
- Simple to operate and maintain
- Ideal for construction applications

 **snorkel**[™]
www.snorkellifts.com

LARGE TELESCOPIC BOOM LIFTS

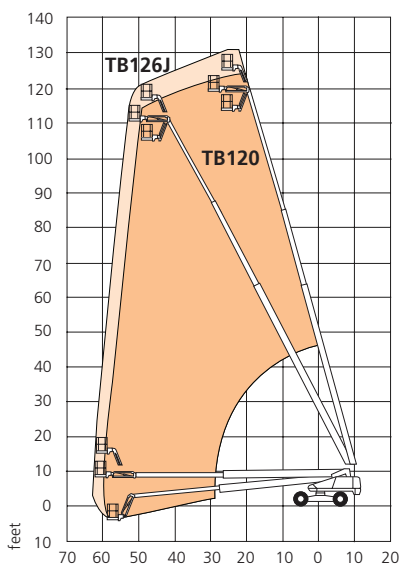
DIMENSIONS	TB120	TB126J
Max. working height	126 ft	132 ft
Max. platform height	120 ft	126 ft
Max. horizontal reach	62 ft	62 ft 11 in
Platform size	8 ft x 3 ft	8 ft x 3 ft
Overall width (A)	8 ft 6 in	8 ft 6 in
Operational width (extended)	12 ft 9 in	12 ft 9 in
Stowed length (B)	42 ft 3 in	44 ft 9 in
Stowed height (C)	9 ft 10 in	10 ft 5 in
Ground clearance	13 in	13 in

PERFORMANCE	TB120	TB126J
Platform capacity (SWL)	500 lbs	500 lbs
Max. wind speed	28 mph	28 mph
Max. drive height	120 ft	126 ft
Max. drive speed (stowed)	2.9 mph	2.9 mph
Max. drive speed (elevated)	0.15 mph	0.15 mph
Jib length	n/a	6 ft 6 in
Jib working arc	n/a	135°
Platform rotation	150°	180°
Superstructure rotation	360° continuous	360° continuous
Tailswing (axles retracted)	80.5 in	80.5 in
Tailswing (axles extended)	54.25 in	54.25 in
Raise/lower time	208/215 sec	208/215 sec
Gradeability	30%	30%
Inside turning radius (axles retracted)	19 ft	19 ft
Outside turning radius	33 ft	33 ft
Tires	445 - 65 D22.5 foam filled	
Controls	proportional joystick	
Drive system	4-wheel drive	

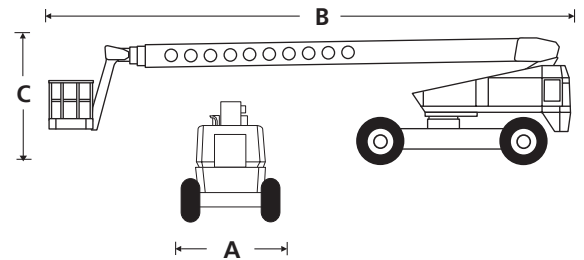
POWER	TB120	TB126J
Power source	Kubota V2403 65hp diesel - Tier 4 Final	

WEIGHT	TB120	TB126J
Weight	39,500 lbs	41,800 lbs

WORKING ENVELOPE



TB120/TB126J



STANDARD FEATURES

- Snorkel Guard™ secondary guarding system
- 6 ft 6 in 135° jib (TB126J only)
- 4-wheel drive, braking & fixed front steering
- Hydraulic platform rotation
- 360° continuous turntable rotation
- Hydraulic extended rear axles w/ boom interlocks
- Built-in jack for raising chassis
- Flashing amber light
- Proportional drive, boom lift, swing, extend + jib (if equipped)
- Dual lanyard attachment points
- Foam filled tires
- Power line to platform
- 3.5° tilt & cut out
- 2 year parts & labor, 5 year structural warranty
- ANSI compliant

OPTIONS

- Special paint colors
- Airline to platform
- Non-marking tires
- AC generator 110V/2.5kW
- Cold weather package
- Extreme cold weather package
- Extreme environment package
- Light package
- Glazier package
- Utility package
- 12kW generator package
- 12kW generator/welder package
- Tow kit
- Environmental hydraulic oil
- Tool tray
- Personal fall arrest system

snorkel

www.snorkellifts.com

P.O. Box 1160
St. Joseph, MO 64502-1160, USA
Tel: 1 (785) 989-3000
Toll-free: 1 (800) 255-0317
Fax: 1 (785) 989-3070
Email: sales.usa@snorkellifts.com