

SR1331

ROUGH TERRAIN TELEHANDLER



- Full time 4-wheel drive
- Power assisted steering
- Proportional joystick
- Simple to operate and maintain

 **snorkel**[™]
www.snorkellifts.com

ROUGH TERRAIN TELEHANDLER

SR1331

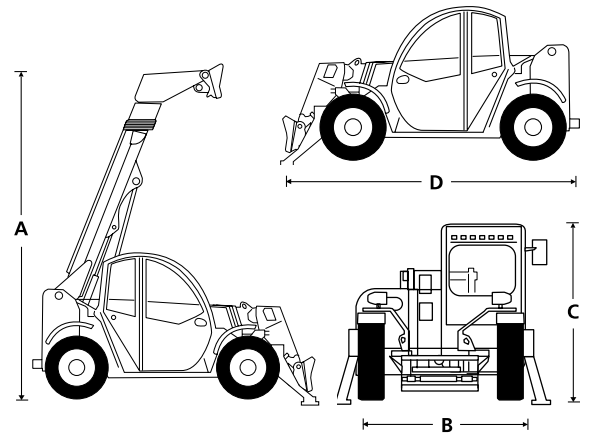
CAPABILITIES	SR1331 *
Max. lift capacity	13,000 lbs
Max. lift height (A)	31 ft 2 in
Max. forward reach	17 ft 8 in

DIMENSIONS	
Overall width (B)	7 ft 7 in
Stowed height (C)	8 ft 5 in
Length to fork face (D)**	21 ft 2 in
Wheelbase	9 ft 7 in
Ground clearance	16 in

PERFORMANCE	
Max. drive speed	25mph
Raise/lower time	20/14 sec
Frame leveling	10°
Hydraulic flow (per minute)	26 gal
Hydraulic pressure	3,336 psi
Hydraulic oil capacity	40 gal
Fuel capacity	21 gal
Outside turning radius	14 ft 9 in
Tires	445/65 22.5"

POWER	
Power source	Deutz TCD 3.6L Tier 4 Final diesel 100hp

WEIGHT	
Weight	24,450



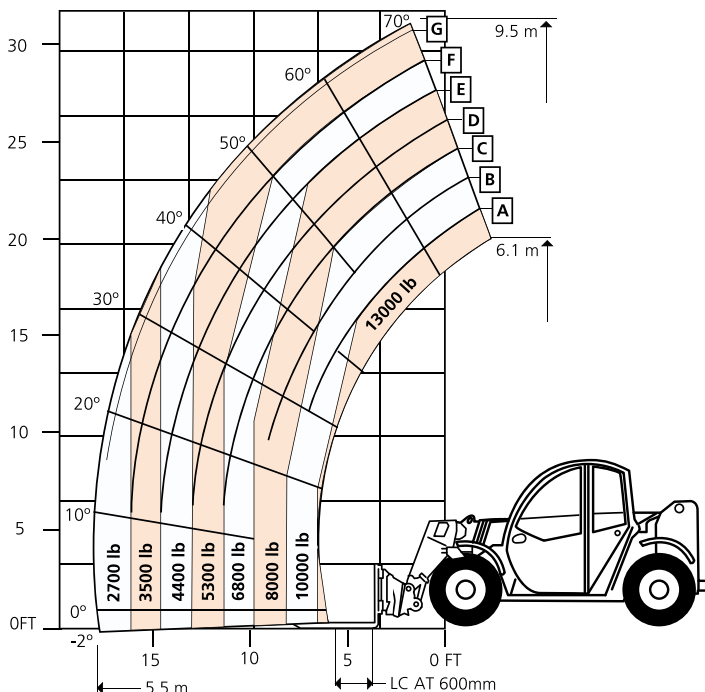
STANDARD FEATURES

- Manual pintle hitch
- Backup alarm
- LED work lights on boom (2)
- PEB electrical boom socket
- Constant front hydraulic flow
- Heater plug
- B class carriage adapter
- Hydraulic attachment quick disconnect
- Axle mounted outriggers
- 2 year parts and labor, 5 year structural warranty
- ANSI compliant

OPTIONS

- Special paint colors
- Multiple options for carriages, tires, and fork tines

LOAD CHART



ANSI Specification ©Snorkel 2024
 Specifications subject to change without notice. Photos and diagrams are for promotional purposes only. Refer to appropriate Snorkel operators manual for detailed instructions on proper use and maintenance.
 *Preliminary specifications - confirm at time of ordering.
 **Length to fork face = length from carriage to counterweight



P.O. Box 1160
 St. Joseph, MO 64502-1160, USA
 Tel: 1 (785) 989-3000
 Toll-Free: 1 (800) 255-0317
 Sales Fax: 1 (785) 989-3070
 Parts Fax: 1 (785) 989-3077

www.snorkelifts.com