

# SR1054

## ROUGH TERRAIN TELEHANDLER



- Full time 4-wheel drive
- Power assisted steering
- Proportional joystick
- Simple to operate and maintain

 **snorkel**<sup>™</sup>  
[www.snorkellifts.com](http://www.snorkellifts.com)

# ROUGH TERRAIN TELEHANDLER

# SR1054

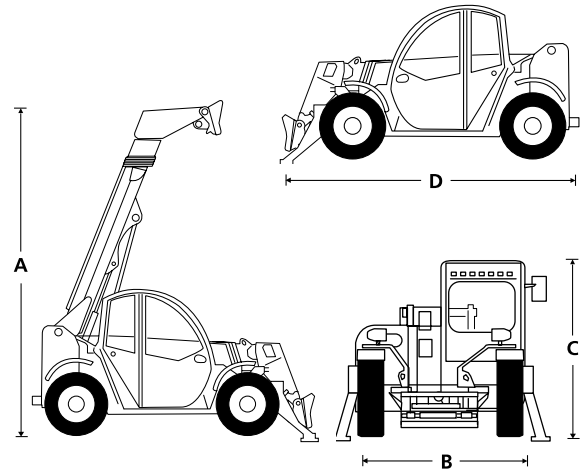
CAPABILITIES	SR1054
Max. lift capacity	10,000 lbs
Max. lift height (A)	53 ft 9 in
Max. forward reach	41 ft 4 in

DIMENSIONS	
Overall width (B)	7 ft 6 in
Stowed height (C)	8 ft 5 in
Length to fork face (D)*	21 ft 8 in
Wheelbase	9 ft 8 in
Ground clearance	14 in

PERFORMANCE	
Max. drive speed	18 mph
Raise/lower time	16/10.8 sec
Frame leveling	11°
Hydraulic flow (per minute)	32 gal
Hydraulic pressure	3,336 psi
Hydraulic oil capacity	39.5 gal
Fuel capacity	31.7 gal
Outside turning radius	13 ft 8 in
Tires	445/65-22.5

POWER	
Power source	Deutz TCD 3.6L Tier 4 Final diesel 100hp

WEIGHT	
Weight	26,852 lbs



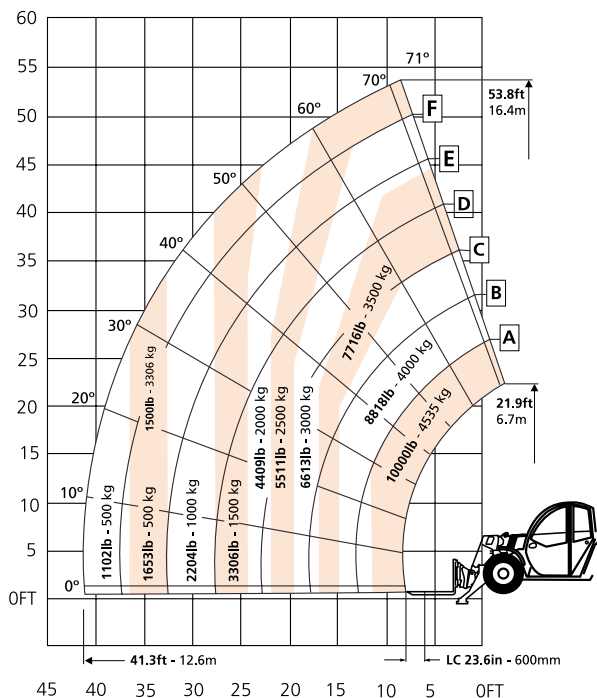
## STANDARD FEATURES

- Manual pintle hitch
- Backup alarm
- Axle mounted outriggers
- PEB electrical boom socket
- Constant front hydraulic flow
- USA block heater plug
- B class carriage adapter
- Hydraulic attachment quick disconnect
- LED work lights on boom (2)
- 2 year parts & labor, 5 year structural warranty
- ANSI compliant

## OPTIONS

- Special paint colors
- Multiple options for carriages, tires, fork tines, and attachments

## LOAD CHART



ANSI Specification  
©Snorkel 2024

Specifications subject to change without notice. Photos and diagrams are for promotional purposes only. Refer to appropriate Snorkel operators manual for detailed instructions on proper use and maintenance.  
\*Length to fork face = length from carriage to counterweight

**snorkel** [www.snorkelifts.com](http://www.snorkelifts.com)

P.O. Box 1160  
St. Joseph, MO 64502-1160, USA  
Tel: 1 (785) 989-3000  
Toll-Free: 1 (800) 255-0317  
Sales Fax: 1 (785) 989-3070  
Parts Fax: 1 (785) 989-3077