

600AJ

ARTICULATED BOOM LIFT



- Tough and reliable diesel articulating boom lift
- Powerful 4-wheel drive for rough terrain
- Robust, rental-tough design
- Simple to operate and maintain

 **snorkel**[™]

www.snorkellifts.com

ARTICULATED BOOM LIFT

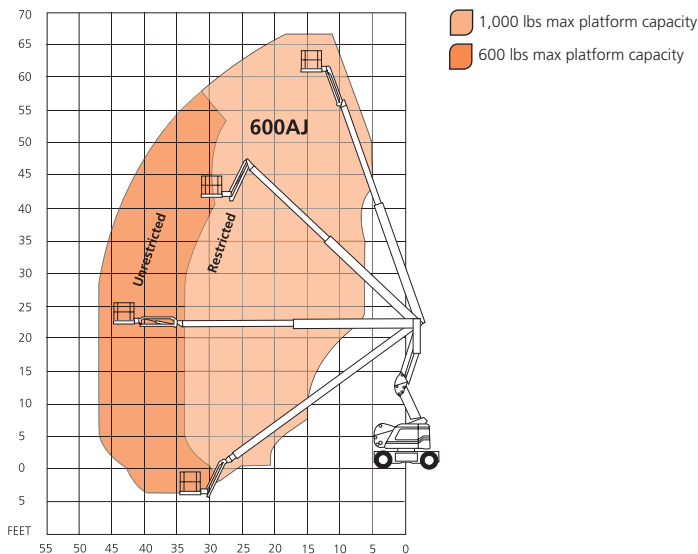
600AJ

DIMENSIONS		600AJ*
Max. working height		66 ft
Max. platform height		60 ft
Max. horizontal reach		44 ft 6 in
Clearance height at max. outreach		21 ft 6 in
Platform size		8 ft x 3 ft
Overall width (A)		8 ft 1 in
Overall length (B)		29 ft 2 in
Stowed height (C)		8 ft 3 in
Ground clearance		13.5 in
PERFORMANCE		
Platform capacity (restricted)		1,000 lbs
Platform capacity (unrestricted)		600 lbs
Max. drive height		60 ft
Max. wind speed		28 mph
Max. drive speed (stowed)		3.5 mph
Max. drive speed (elevated)		0.6 mph
Jib length		5 ft 5 in
Jib working arc		135°
Platform rotation		180°
Superstructure rotation		360° continuous
Tailswing		4 ft 6 in
Foreswing		0
Raise/lower time		60/60 sec
Gradeability		45%
Inside turning radius		10 ft 1 in
Outside turning radius		17 ft 1 in
Oscillating axle		8 in
Tires		355/55 0625 foam filled
Controls		fully proportional
Drive system		4-wheel drive

POWER	
Power source	Kubota V2403 65hp diesel - Stage V

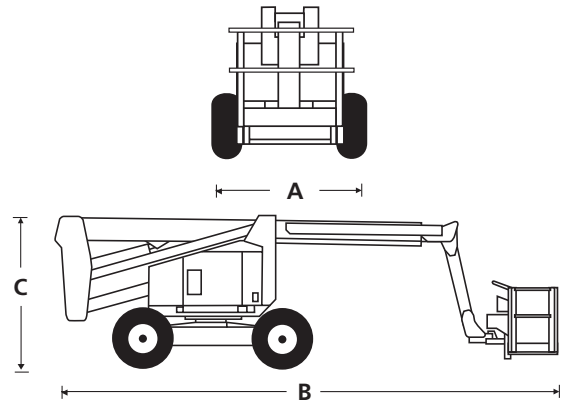
WEIGHT	
Weight	27,500 lbs

WORKING ENVELOPE



ANSI Specification
©Snorkel 2024

Specifications subject to change without notice. Photos and diagrams are for promotional purposes only. Refer to appropriate Snorkel operators manual for detailed instructions on proper use and maintenance.
*Preliminary specifications - confirm at time of ordering.



STANDARD FEATURES

- Snorkel Guard™ secondary guarding system
- Proportional controls
- Oscillating axle
- 6' tri-entry platform with high grip aluminum floor
- Foam filled tires
- Power line to platform
- Hour meter & on-board diagnostics display
- Tilt alarm
- Horn
- Drive motion alarm
- Flashing amber light
- 2 year parts & labor, 5 year structural warranty
- ANSI compliant

OPTIONS

- Special paint colors
- Airline to platform
- Non-marking tires
- 12V cooling fans in platform
- Mesh platform guarding
- Tool tray
- Aircraft package
- Deluxe aircraft package
- Cold weather package
- Extreme cold weather package
- Extreme environment package
- Light package
- Utility package
- Glazier package
- Pipe rack
- Generator package 2kW
- Generator package 7.5kW
- Environmental hydraulic oil
- Dual fuel engine

snorkel www.snorkellifts.com

P.O. Box 1160
St. Joseph, MO 64502-1160, USA
Tel: 1 (785) 989-3000
Toll-Free: 1 (800) 255-0317
Sales Fax: 1 (785) 989-3070
Parts Fax: 1 (785) 989-3077