

SR1331

ROUGH TERRAIN TELEHANDLER



- Full-time 4-wheel drive
- Fully enclosed cab
- Power assisted steering
- Proportional joystick
- Simple to operate & maintain

 **snorkel**[™]
www.snorkellifts.com

ROUGH TERRAIN TELEHANDLER

SR1331

CAPABILITIES SR1331*

Max. lift capacity	6,033kg
Max. lift height (A)	9.5m
Max. forward reach	5.4m

DIMENSIONS

Overall width (B)	2.3m
Stowed height (C)	2.56m
Length to fork face (D)**	6.15m
Wheelbase	2.9m
Ground clearance	410mm

PERFORMANCE

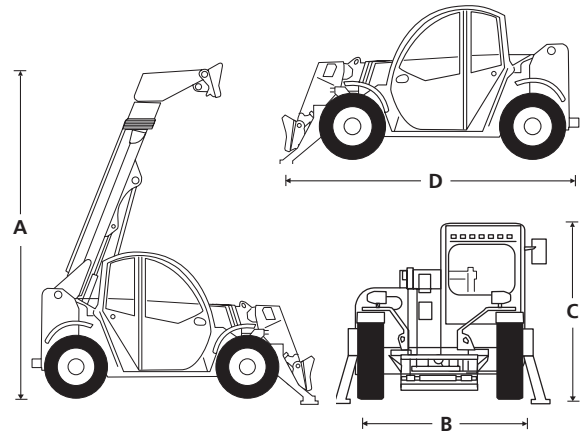
Max. drive speed	40 km/h
Raise/lower time	20/14sec
Frame levelling	10°
Hydraulic flow (per minute)	100L
Hydraulic pressure	230bar
Hydraulic oil capacity	150L
Fuel capacity	120L
Outside turning radius	4.5m
Tires	445/65 R22.5"

POWER

Power source	Deutz TCD 3.6L Tier 4 Final diesel 100hp
--------------	--

WEIGHT

Weight	11,090kg
--------	----------



STANDARD FEATURES

- Enclosed cab with heat & air conditioning
- Front and rear LED work lights
- Window wipers
- Running lights
- Manual pintle hitch
- Backup alarm
- LED work lights on boom (2)
- PEB electrical boom socket
- Constant front hydraulic flow
- Heater plug
- B class carriage adapter
- Hydraulic attachment quick disconnect
- Axle mounted outriggers
- 2 year parts & labor, 5 year structural warranty
- ANSI compliant

OPTIONS

- Special paint colors
- Multiple options for carriages, tires and fork tines
- Snorkel OnSite™ telematics

LOAD CHART

