

# TL39

## TOWABLE BOOM LIFT



- Tough yet compact towable boom lift
- Easy to set-up hydraulic stabilizers
- Maneuverable articulating/telescopic boom
- Smooth, easy to operate controls
- Simple to maintain

 **snorkel**™

[www.snorkellifts.com](http://www.snorkellifts.com)

# TOWABLE BOOM LIFT

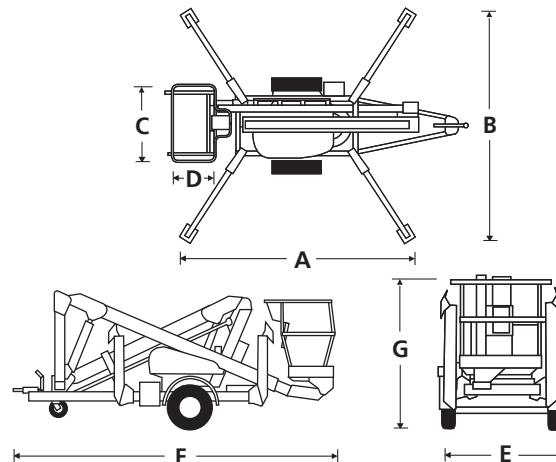
# TL39

DIMENSIONS	TL39
Max. working height	43 ft 9 in
Max. platform height	37 ft 9 in
Max. horizontal reach	21 ft
Platform width (C)	4 ft 1 in
Platform depth (D)	2 ft 4 in
Stabilizer footprint (A x B)	13 ft 1 in x 11 ft 10 in
Towing length (F)	16 ft 8 in
Towing width (E)	5 ft 3 in
Stowed height (G)	6 ft 7 in

PERFORMANCE	
Platform capacity (SWL)	475 lbs
Max. wind speed	28 mph
Superstructure rotation (non-continuous)	540°
Wheels	185R14C
Controls	electric over hydraulic, variable speed

POWER	
Power source	24V DC battery
Power options	Gasoline, bi-energy (combustion and battery), AC electric, diesel

WEIGHT	
Weight (DC battery)	3,703 lbs



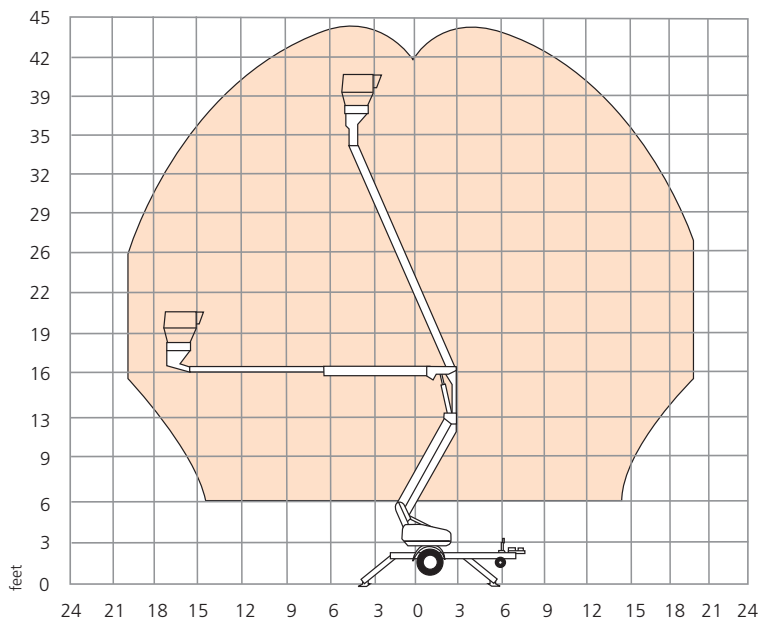
## STANDARD FEATURES

- Articulating / telescopic boom configuration
- Auto-level hydraulic stabilizers with LED indicators
- Integral road lighting board
- Electric controls at platform
- Hydraulic platform rotate
- Integrated automatic battery charger 110V-230V
- Dual lanyard attachment points
- Power line to platform
- 2 year parts & labor, 5 year structural warranty
- ANSI & DOT compliant

## OPTIONS

- Special paint colors
- Work lights in platform
- Flashing amber light
- Airline to platform
- Nylon spreader pads (set of 4)
- 110V/220V AC power
- Gasoline power
- Bi-energy (gas + batteries)
- Diesel engine
- Environmental hydraulic oil
- Snorkel OnSite™ telematics

## WORKING ENVELOPE



**snorkel** [www.snorkellifts.com](http://www.snorkellifts.com)

P.O. Box 1160  
 St. Joseph, MO 64502-1160, USA  
 Tel: 1 (785) 989-3000  
 Toll-free: 1 (800) 255-0317  
 Fax: 1 (785) 989-3070  
 Email: sales.usa@snorkellifts.com