

TL37J

TOWABLE BOOM LIFT



- High specification towable boom lift
- Excellent working envelope including a jib boom
- Hydraulic stabilizers for simple set-up
- Proportional controls for easy operation
- Range of power source options

 **snorkel**[™]
www.snorkellifts.com

TOWABLE BOOM LIFT

TL37J

DIMENSIONS TL37J

Max. working height	41 ft 9 in
Max. platform height	35 ft 9 in
Max. horizontal reach	18 ft 5 in
Platform width (C)	3 ft 9 in
Platform depth (D)	2 ft 4 in
Stabilizer footprint (A x B)	12 ft 9 in x 10 ft 10 in
Towing length (F)	20 ft 11 in
Towing width (E)	5 ft 3 in
Stowed height (G)	6 ft 11 in

PERFORMANCE

Platform capacity (SWL)	475 lbs
Max. wind speed	28 mph
Jib length	4 ft 3 in
Jib arc	130°
Platform rotation	160°
Superstructure rotation (non-continuous)	640°
Wheels	185R14C
Controls	hydraulic proportional

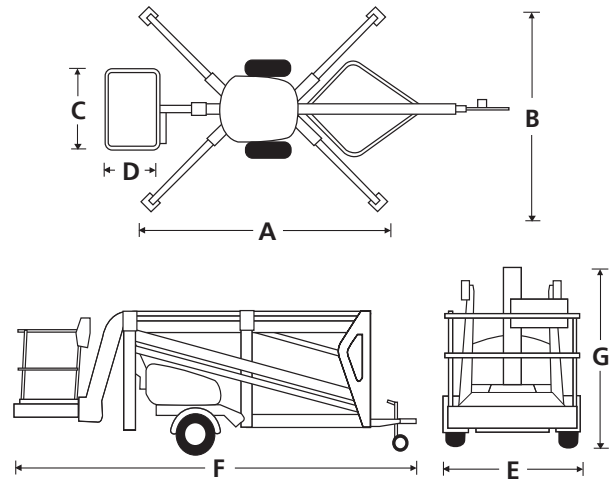
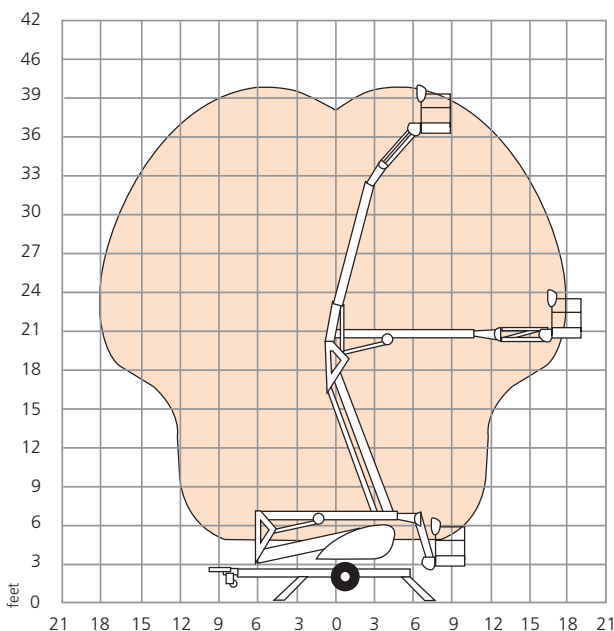
POWER

Power source	24V DC battery
Battery	4 x 6V 225Ah
Power options	gasoline, bi-energy (combustion and battery) or AC electric

WEIGHT

Weight (DC battery)	3,498 lbs
---------------------	-----------

WORKING ENVELOPE



STANDARD FEATURES

- 4 ft 3 in, 130° jib
- In-line boom design for maximum rigidity
- Hydraulic stabilizers
- Hand pump emergency lowering from platform
- Lock valves on all hydraulic cylinders
- Proportional live hydraulic controls
- Power line to platform
- Dual lanyard attachment points
- 2 year parts & labor, 5 year structural warranty
- ANSI & DOT compliant

OPTIONS

- Special paint colors
- Work lights in platform
- Flashing amber light
- Nylon spreader pads (set of 4)
- 110V/220V AC power
- Gasoline power
- Bi-energy (gas + batteries)
- Environmental hydraulic oil
- Friction drive assist package
- Snorkel OnSite™ telematics

snorkel www.snorkellifts.com

P.O. Box 1160
 St. Joseph, MO 64502-1160, USA
 Tel: 1 (785) 989-3000
 Toll-free: 1 (800) 255-0317
 Fax: 1 (785) 989-3070
 Email: sales.usa@snorkellifts.com